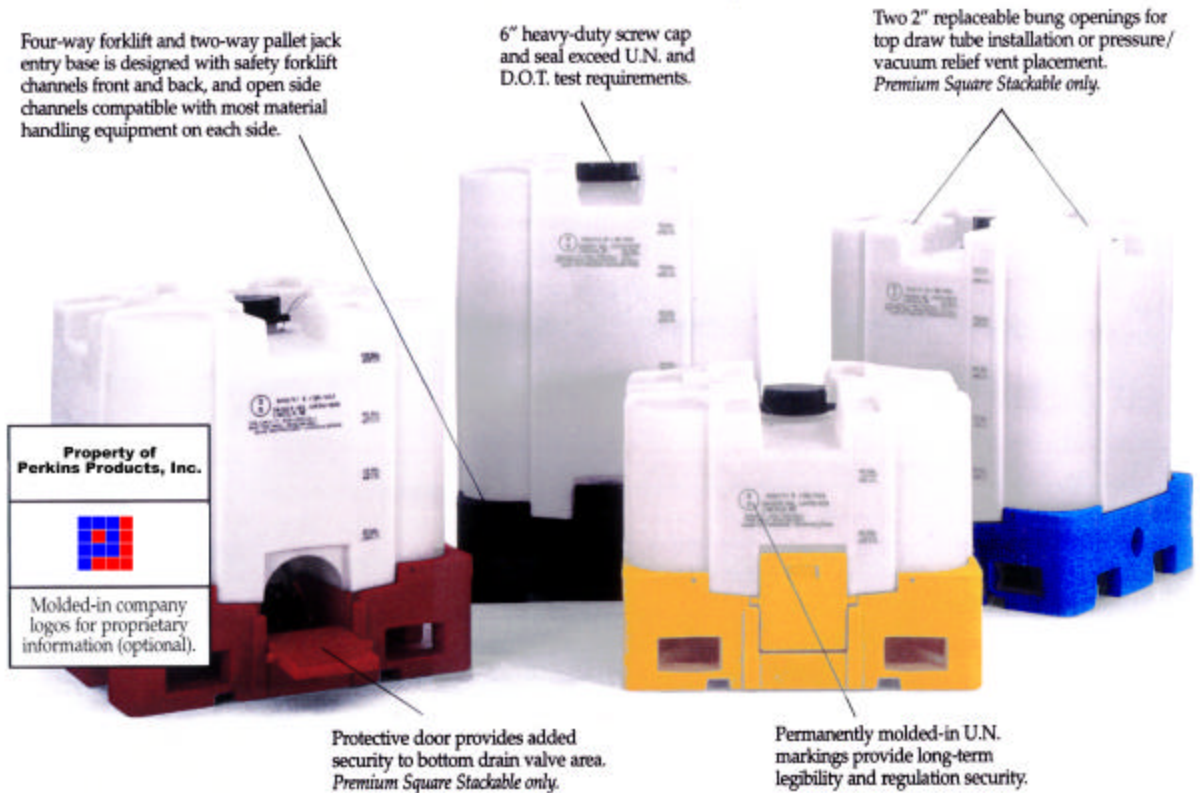


Premium Square Plastic Stackables

The industry's best selling, all-poly, IBC provides an unparalleled value in long-term reusable IBCs for both hazardous and nonhazardous commodity liquids. Premium Square Stackables offer maximum features and component packages for a variety of applications.



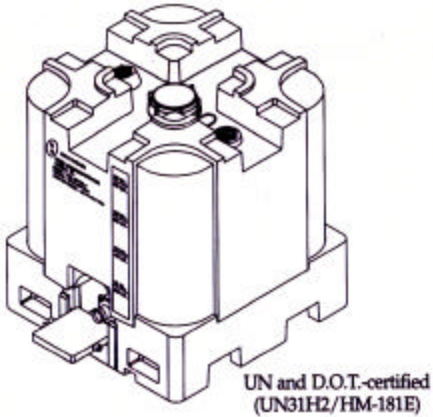
Property of Perkins Products, Inc.



Molded-in company logos for proprietary information (optional).

Premium Square Stackable Specifications				
Capacity	Tare Weight	Length	Width	Height
330 gals	257 lbs	45"	45"	63.5"
275 gals	232 lbs	45"	45"	56"
220 gals	211 lbs	45"	45"	48.5"
120 gals	185 lbs	45"	45"	36.5"

See pages 18 and 19 for options and accessories
 Test pressure rating: 14.7 PSIG • Material weight rating: 1.9 specific gravity
 Stacking capacity is 2-3 units high (depending on container size, weight and temperature exposure).
 Patent #4,847,028 • Other patent pending



This information is presented in good faith, but no warranty, express or implied is given. The final determination of the suitability of the products for the application contemplated by the user is the sole responsibility of the buyer. This is an uncontrolled copy and changes can be made to this document without notice.



7025 West 66th Place, Bedford Park, IL 60638
 Phone: 708-458-2000 Fax: 708-458-2057 Watts: 800-342-6722
www.perkinsproducts.com

Quality
 With
 Integrity